

KDC-4010/S5009

KENWOOD STAGE 3

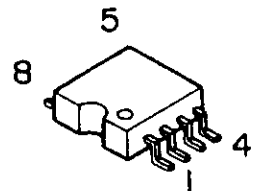
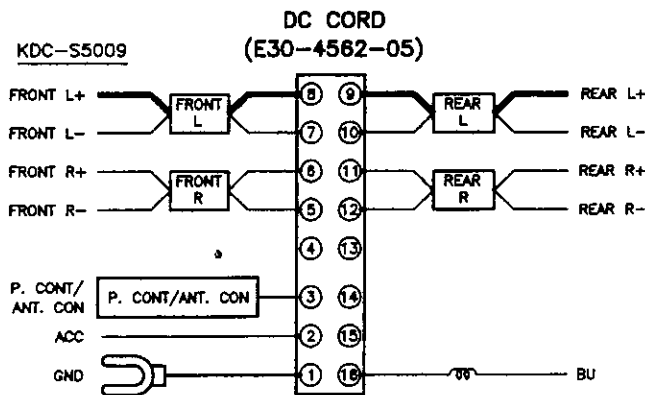
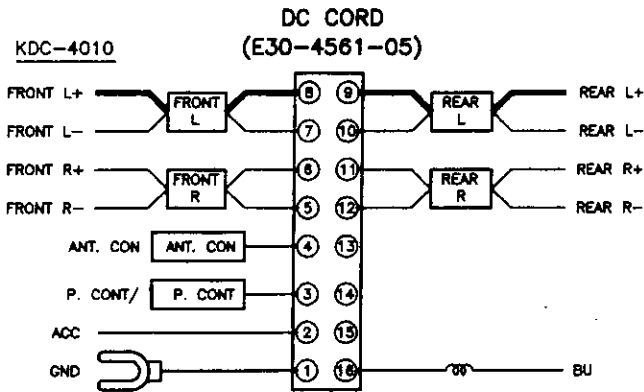
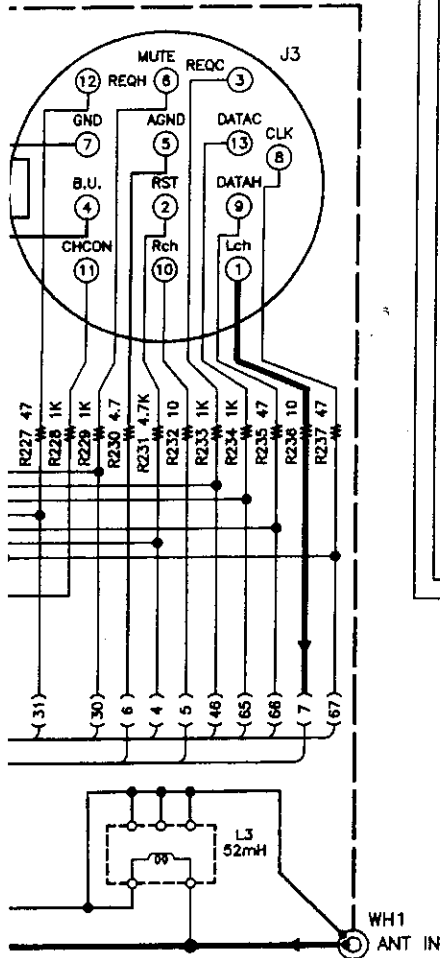
SERVICE MANUAL

© 1998-1 PRINTED IN JAPAN

AA

AB

AD



X13-
J1

2/2

BR24C01AF